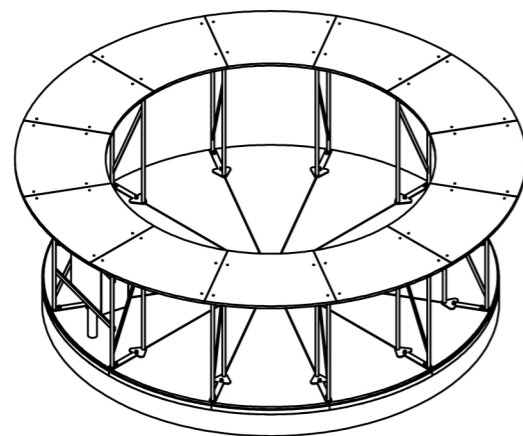
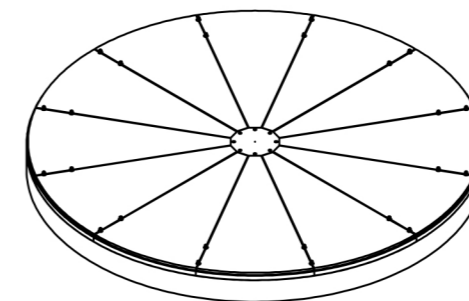


Configuration As DJ Booth

Configuration As Flat Stage




**BOUMAN**  
SERVICE & ENGINEERING

DO NOT SCALE DRAWING

REVISION

Copying, distribution and use of this drawing  
is prohibited without written permission of the manufacturer.  
2022 Copyright Bouman Service & Engineering

	NAME	SIGNATURE	DATE
DRAWN	<b>MB</b>	<b>MB</b>	<b>27/2</b>
CHK'D	<b>NT</b>	<b>NT</b>	<b>23/3</b>
APP'VD	<b>MB</b>	<b>MB</b>	<b>24/3</b>
MFG			
Q.A			
FINISH:			

TITLE:	 <b>Roto Stage</b>
DWG NO.	